

Q	Answer	Mark	Guidance
1	1 mark per correct point <ul style="list-style-type: none"> - Displays all field names - ...from the products table - ...if the price of the product is more than 1000 	3	
2	<pre>SELECT * FROM products WHERE price > 1000 or price <300</pre>	1	
3	1 mark for <ul style="list-style-type: none"> • The AND operator will result in no results • ... because products cannot both be <300 AND >1000 	2	
4	2	1	
5	1 mark for correctly writing out query lines 1-3, 1 mark for correctly writing out the order by statement on line 4 <pre>SELECT * FROM products WHERE category = "smartphone" ORDER BY dis% DESC;</pre>	2	Accept line 4 as: ORDER BY discount DESC;
6	1 mark per correct point <ul style="list-style-type: none"> • It will return the number of products/records • ...in the products table 	2	
7	1 mark for each point: <ul style="list-style-type: none"> • First line must have UPDATE and the table name • Second line must include the SET command and the condition • Third line sets the condition of id <pre>UPDATE products SET price = 500 WHERE id=2;</pre>	3	

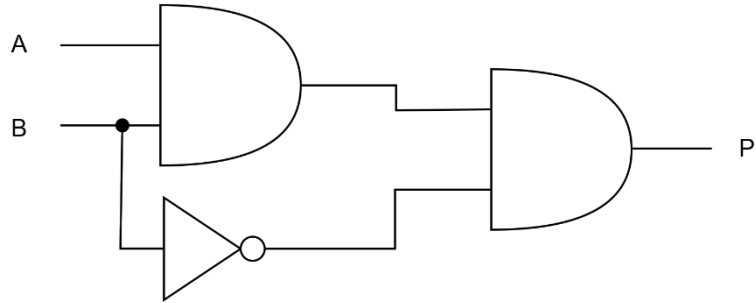
4	<table border="1" data-bbox="163 180 539 520"> <thead> <tr> <th></th> <th></th> <th></th> <th>D</th> <th>E</th> <th>Q</th> </tr> </thead> <tbody> <tr> <td></td> <td></td> <td></td> <td>0</td> <td>1</td> <td>1</td> </tr> <tr> <td></td> <td></td> <td></td> <td>0</td> <td>0</td> <td>0</td> </tr> <tr> <td></td> <td></td> <td></td> <td>0</td> <td>1</td> <td>1</td> </tr> <tr> <td></td> <td></td> <td></td> <td>1</td> <td>0</td> <td>1</td> </tr> <tr> <td></td> <td></td> <td></td> <td>0</td> <td>1</td> <td>1</td> </tr> <tr> <td></td> <td></td> <td></td> <td>0</td> <td>0</td> <td>0</td> </tr> <tr> <td></td> <td></td> <td></td> <td>0</td> <td>1</td> <td>1</td> </tr> <tr> <td></td> <td></td> <td></td> <td>1</td> <td>0</td> <td>1</td> </tr> </tbody> </table> <p data-bbox="163 595 539 627">1 mark for each correct column</p>				D	E	Q				0	1	1				0	0	0				0	1	1				1	0	1				0	1	1				0	0	0				0	1	1				1	0	1	3	
			D	E	Q																																																				
			0	1	1																																																				
			0	0	0																																																				
			0	1	1																																																				
			1	0	1																																																				
			0	1	1																																																				
			0	0	0																																																				
			0	1	1																																																				
			1	0	1																																																				
5	<p data-bbox="163 670 539 702">Either answer is acceptable</p> <ul data-bbox="208 710 539 774" style="list-style-type: none"> • $Q = (A \& B) \text{ OR NOT } C$ • $Q = \text{NOT } C \text{ OR } (A \text{ AND } B)$ <p data-bbox="163 813 291 845">1 mark for</p> <ul data-bbox="208 853 459 917" style="list-style-type: none"> • NOT C • Correct using OR 	2																																																							



6	<table border="1" data-bbox="163 180 528 818"> <thead> <tr> <th>A</th> <th>B</th> <th>C</th> <th>D</th> <th>E</th> <th>F</th> <th>G</th> <th>Q</th> </tr> </thead> <tbody> <tr><td>0</td><td>0</td><td>0</td><td>0</td><td>0</td><td>0</td><td>1</td><td>1</td></tr> <tr><td>0</td><td>0</td><td>0</td><td>1</td><td>0</td><td>0</td><td>1</td><td>1</td></tr> <tr><td>0</td><td>0</td><td>1</td><td>0</td><td>0</td><td>0</td><td>1</td><td>1</td></tr> <tr><td>0</td><td>0</td><td>1</td><td>1</td><td>0</td><td>1</td><td>0</td><td>0</td></tr> <tr><td>0</td><td>1</td><td>0</td><td>0</td><td>0</td><td>0</td><td>1</td><td>1</td></tr> <tr><td>0</td><td>1</td><td>0</td><td>1</td><td>0</td><td>0</td><td>1</td><td>1</td></tr> <tr><td>0</td><td>1</td><td>1</td><td>0</td><td>0</td><td>0</td><td>1</td><td>1</td></tr> <tr><td>0</td><td>1</td><td>1</td><td>1</td><td>0</td><td>1</td><td>0</td><td>0</td></tr> <tr><td>1</td><td>0</td><td>0</td><td>0</td><td>0</td><td>0</td><td>1</td><td>1</td></tr> <tr><td>1</td><td>0</td><td>0</td><td>1</td><td>0</td><td>0</td><td>1</td><td>1</td></tr> <tr><td>1</td><td>0</td><td>1</td><td>0</td><td>0</td><td>0</td><td>1</td><td>1</td></tr> <tr><td>1</td><td>0</td><td>1</td><td>1</td><td>0</td><td>1</td><td>0</td><td>0</td></tr> <tr><td>1</td><td>1</td><td>0</td><td>0</td><td>1</td><td>0</td><td>1</td><td>1</td></tr> <tr><td>1</td><td>1</td><td>0</td><td>1</td><td>1</td><td>0</td><td>1</td><td>1</td></tr> <tr><td>1</td><td>1</td><td>1</td><td>0</td><td>1</td><td>0</td><td>1</td><td>1</td></tr> <tr><td>1</td><td>1</td><td>1</td><td>1</td><td>1</td><td>1</td><td>0</td><td>1</td></tr> </tbody> </table> <p data-bbox="163 858 528 890">1 mark for each correct column</p>	A	B	C	D	E	F	G	Q	0	0	0	0	0	0	1	1	0	0	0	1	0	0	1	1	0	0	1	0	0	0	1	1	0	0	1	1	0	1	0	0	0	1	0	0	0	0	1	1	0	1	0	1	0	0	1	1	0	1	1	0	0	0	1	1	0	1	1	1	0	1	0	0	1	0	0	0	0	0	1	1	1	0	0	1	0	0	1	1	1	0	1	0	0	0	1	1	1	0	1	1	0	1	0	0	1	1	0	0	1	0	1	1	1	1	0	1	1	0	1	1	1	1	1	0	1	0	1	1	1	1	1	1	1	1	0	1	4	
A	B	C	D	E	F	G	Q																																																																																																																																				
0	0	0	0	0	0	1	1																																																																																																																																				
0	0	0	1	0	0	1	1																																																																																																																																				
0	0	1	0	0	0	1	1																																																																																																																																				
0	0	1	1	0	1	0	0																																																																																																																																				
0	1	0	0	0	0	1	1																																																																																																																																				
0	1	0	1	0	0	1	1																																																																																																																																				
0	1	1	0	0	0	1	1																																																																																																																																				
0	1	1	1	0	1	0	0																																																																																																																																				
1	0	0	0	0	0	1	1																																																																																																																																				
1	0	0	1	0	0	1	1																																																																																																																																				
1	0	1	0	0	0	1	1																																																																																																																																				
1	0	1	1	0	1	0	0																																																																																																																																				
1	1	0	0	1	0	1	1																																																																																																																																				
1	1	0	1	1	0	1	1																																																																																																																																				
1	1	1	0	1	0	1	1																																																																																																																																				
1	1	1	1	1	1	0	1																																																																																																																																				
7	<p data-bbox="163 930 488 962">Either answer is acceptable</p> <ul data-bbox="208 970 651 1038" style="list-style-type: none"> • $Q = (A \ \& \ B) \ \text{OR} \ \text{NOT} \ (C \ \text{AND} \ D)$ • $Q = \text{NOT} \ (C \ \text{AND} \ D) \ \text{OR} \ (A \ \text{AND} \ B)$ <p data-bbox="163 1082 293 1114">1 mark for</p> <ul data-bbox="208 1121 461 1222" style="list-style-type: none"> • NOT C AND D • A AND B • Correct using OR 	3																																																																																																																																									



8



2

1 mark for

- An AND Gate which takes as an input the result of A AND B
- ... AND the result of NOT B

9

A	B	A AND B	NOT B	P
0	0	0	1	0
0	1	0	0	0
1	0	0	1	0
1	1	1	0	0

3

1 mark for each correct column

